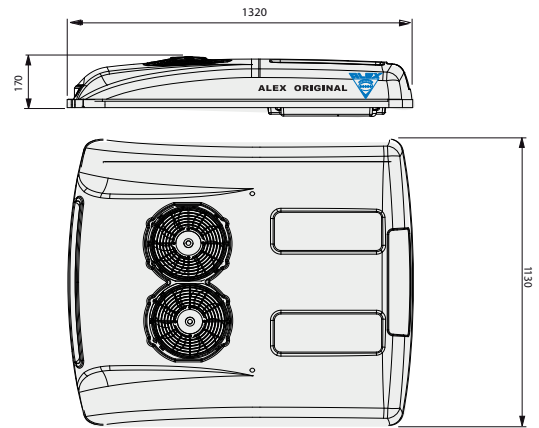


A/C ROOFTOP UNITS

AERO 2500 FAMILY MINIBUS & MIDIBUS (SIDE DUCTS)

The ALEX ORIGINAL new AERO is stands out by it's aerodynamic design. ALEX ORIGINAL advanced production processes combine high quality components, to an innovative light weight, high endurance product, that is easy is to install. The AERO units are protected with high quality UV resistant ABS Plastic cover; therefore, the AERO units will need minimal maintenance. The AERO 2500 unit deliver a powerful cooling capacity, what is achieved with low power consumption. The AERO 2500 are available in 12V & 24V. The AERO 2500 comes standard with electronic climate control and with option to connect to additional heating. Application: midi-buses, mini-buses, trucks & special vehicles.



AERO 2503, 12V, 13 kW
AERO 2504, 24V, 14 kW
AERO 2505, 12V, 13 kW
AERO 2506, 12V, 13 kW
AERO 2507, 24V, 14 kW
AERO 2508, 12V, 13 kW
AERO 2509, 24V, 14 kW

Connected to Original A/C
Heating
Heating
Fresh Air Recirculation
Fresh Air Recirculation

4700-503
4700-504
4700-505
4700-506
4700-507
4700-508
4700-509

Cooling Capacity : 12V - 13 kW / 24V - 14 kW
Heating Capacity : 12V - 10.5 kW / 24V - 12.5 kW
Working Voltage: 12V d.c. / 24V d.c.
Power Consumption: 12V-47A / 24V-21A
Airflow: (at Zero Static Pressure):
12V- 2040 m³/h / 24V - 2320 m³/h
Unit L / W / H : 1320 / 1130 / 170 mm / 52 x 44.50 x 6.70 "
Weight: 40 Kg / 88Lbs.
Recommended compressor: Sanden SD7H15 / SD5H14

*ALEX ORIGINAL reserve the rights to make changes in our products without previous notice.



info@alex-original.com



+972-9-8855441



16 Hamelacha St. Netanya



www.alex-original.com